

# 8MP HD Intelligent LightHunter IR VF Eyeball Network Camera

## GS338-XDZ



### Key Features



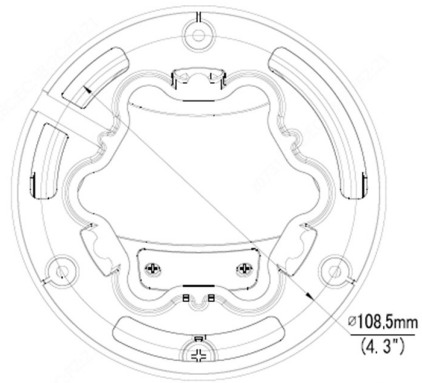
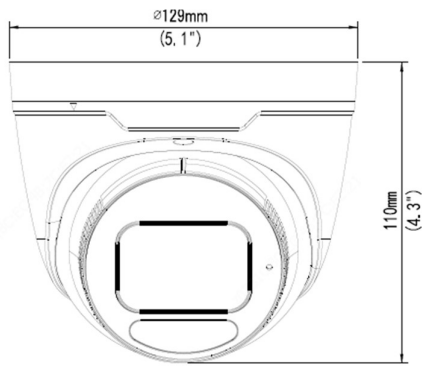
- High quality imaging with 8MP, 1/2.8" CMOS sensor
- 8MP (3840\*2160)@20fps; 5MP (3072\*1728)@30/25fps; 4MP (2560\*1440)@30/25fps; 2MP (1920\*1080)@30/25fps
- Ultra 265, H.265, H.264, MJPEG
- Intelligent perimeter protection, include cross line, intrusion, enter area, leave area detection
- Based on target classification, smart intrusion prevention significantly reduce false alarm caused by leaves, birds and lights etc., accurately focus on human and, motor vehicle and non-motor vehicle
- LightHunter technology ensures ultra-high image quality in low illumination environment
- 120dB true WDR technology enables clear image in strong light scene
- Support 9:16 Corridor Mode
- Built-in Mic
- Smart IR, up to 40m (131ft) IR distance
- Supports 256 G Micro SD card
- IK10 vandal resistant
- IP67 protection
- Support PoE power supply

## Specifications

| Camera                  |   | GS338-XDZ  |                |               |                   |  |
|-------------------------|---|------------|----------------|---------------|-------------------|--|
| Sensor                  | 1/2.8", 8.0 megapixel, progressive scan, CMOS   |            |                |               |                   |  |
| Lens                    | 2.8 ~ 12mm, AF automatic focusing and motorized zoom lens   |            |                |               |                   |  |
| DORI Distance           | Lens (mm)   | Detect (m) | Observe (m)    | Recognize (m) | Identify (m)      |  |
|                         | 2.8   | 86.9       | 34.8           | 17.4          | 8.7               |  |
|                         | 12  | 372.4      | 149.0          | 74.5          | 37.2              |  |
| Angle of view (H)       | 107.4°~ 29.2°   |            |                |               |                   |  |
| Angle of View (V)       | 54.2°~ 16.3°  |            |                |               |                   |  |
| Angle of View (O)       | 111.0°~33.1°  |            |                |               |                   |  |
| Adjustment angle        | Pan: 0° ~ 360°  |            | Tilt: 0° ~ 75° |               | Rotate: 0° ~ 360° |  |
| Shutter                 | Auto/Manual, 1 ~ 1/100000s  |            |                |               |                   |  |
| Minimum Illumination    | Colour: 0.003Lux (F1.6, AGC ON)<br>0Lux with IR   |            |                |               |                   |  |
| Day/Night               | IR-cut filter with auto switch (ICR)  |            |                |               |                   |  |
| Digital Noise Reduction | 2D/3D DNR   |            |                |               |                   |  |
| S/N                     | >56dB   |            |                |               |                   |  |
| IR Range                | Up to 40m (131ft) IR range  |            |                |               |                   |  |
| Wavelength              | 850nm   |            |                |               |                   |  |
| IR On/Off Control       | Auto/Manual   |            |                |               |                   |  |
| Defog                   | Digital Defog   |            |                |               |                   |  |
| WDR                     | 120dB   |            |                |               |                   |  |
| Video                   |   |            |                |               |                   |  |
| Video Compression       | Ultra 265,H.265, H.264, MJPEG   |            |                |               |                   |  |
| H.264 code profile      | Baseline profile, Main Profile  |            |                |               |                   |  |
| Frame Rate              | Main Stream: 8MP (3840*2160), Max 20fps;5MP (3072*1728), Max 30fps; 4MP (2560*1440), Max30fps; 1080P (1920*1080), Max 30fps;<br>Sub Stream: 1080P (1920*1080), Max 30fps;720P (1280*720), Max 30fps; D1 (720*576), Max 30fps; 640*360,Max 30fps; 2CIF(704*288), Max 30fps; CIF(352*288), Max 30fps;<br>Third Stream: D1 (720*576), Max 30fps; 640*360,Max 30fps; 2CIF(704*288), Max 30fps; CIF(352*288), Max 30fps; |            |                |               |                   |  |
| Video Bit Rate          | 128 Kbps~16 Mbps  |            |                |               |                   |  |
| OSD                     | Up to 8 OSDs  |            |                |               |                   |  |
| Privacy Mask            | Up to 4 areas   |            |                |               |                   |  |
| ROI                     | Up to 8 areas   |            |                |               |                   |  |
| Motion Detection        | Up to 4 areas   |            |                |               |                   |  |
| Image                   |   |            |                |               |                   |  |
| White Balance           | Auto/Outdoor/Fine Tune/Sodium Lamp/Locked/Auto2   |            |                |               |                   |  |
| Digital noise reduction | 2D/3D DNR   |            |                |               |                   |  |
| Smart IR                | Support   |            |                |               |                   |  |
| Flip                    | Normal/Vertical/Horizontal/180°/90°Clockwise/90°Anti-clockwise  |            |                |               |                   |  |
| Dewarping               | Supported   |            |                |               |                   |  |
| HLC                     | Supported   |            |                |               |                   |  |

|                            |  |
|----------------------------|--|
| BLC                        | Supported  |
| Audio                      |  |
| Audio Compression          | G.711  |
| Suppression                | Supported  |
| Sampling Rate              | 8KHZ   |
| Storage                    |  |
| Edge Storage               | Micro SD, up to 256GB  |
| Network Storage            | ANR  |
| Intelligent                |  |
| Smart Intrusion Prevention | Cross line, intrusion, enter area, leave area detection;   |
| Events                     |  |
| Basic Detection            | Motion detection, tampering alarm, audio detection   |
| General Function           | Watermark, IP address filtering, tampering alarm, alarm input, alarm output, access policy, ARP protection, RTSP Authentication, user authentication |
| Network                    |  |
| Protocols                  | IPv4, IGMP, ICMP, ARP, TCP, UDP, DHCP, PPPoE, RTP, RTSP, RTCP, DNS, DDNS, NTP, FTP, UPnP, HTTP, HTTPS, SMTP, 802.1x, SNMP, QoS                       |
| Compatible Integration     | ONVIF (Profile S, Profile G, Profile T), API   |
| Client                     | <b>Guard Station</b> Computer Software<br><b>Guard Viewer</b> Phone App  |
| Web Browser                | Plug-in required live view: IE9+, Chrome 41 and below, Firefox 52 and below  |
|                            | Plug-in free live view: Chrome 57.0+, Firefox 58.0+, Edge 16+, Safari 11+  |
| Interface                  |  |
| Built-in Mic               | Supported  |
| Network                    | 1 RJ45 10M/100M Base-TX Ethernet   |
| Certifications             |  |
| Certifications             | CE: EN 60950-1<br>UL: UL60950-1<br>FCC: FCC Part 15  |
| General                    |  |
| Power                      | DC 12V±25%, PoE (IEEE 802.3af)   |
|                            | Power consumption: Max 9.0W  |
| Dimensions (Ø x H)         | φ129 x 110mm (Ø5.1" x 4.3")  |
| Net Weight                 | 0.69kg (1.52lb)  |
| Material                   | Metal  |
| Working Environment        | -30°C ~ 60°C (-22°F ~ 140°F), Humidity: ≤95% RH (non-condensing)   |
| Storage Environment        | -30°C ~ 60°C (-22°F ~ 140°F), Humidity: ≤95% RH (non-condensing)   |
| Surge Protection           | 6KV  |
| Ingress Protection         | IP67   |
| Vandal Resistant           | IK10   |
| Reset Button               | Supported  |

## Dimensions



## Accessories

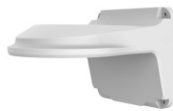
GS135



GSWML-VDZ



GSWML-VDZ-S



GSPM-TD



GSCMP-ET

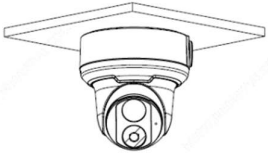
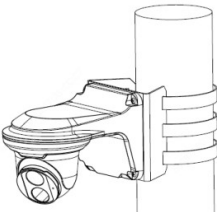
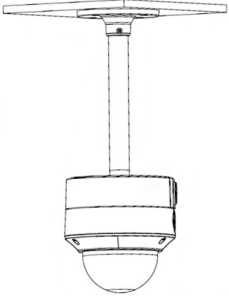


GSCMP-ET-L



GSCPM



| Junction Mount   | Pole Mount  |
|--|---|
| <p data-bbox="185 220 259 247">GS135</p>          | <p data-bbox="821 220 1130 247">GSWML-VDZ-S + GSPM-BU</p>  |
| <p data-bbox="185 468 363 495">GSCPM + GS135</p>  |   |